



Telum™ FC2432

4 Gb/s Fibre Channel AdvancedMC™ Host Bus Adapter

Features

- Single-wide, full- and mid-size form factor
- Two SFF ports
- Onboard programmable protocol engine
- Field Replacement Unit (FRU) hot swap support
- PCI Express interface compliant with revision 1.0a specification
- Supports arbitrated loop, point-to-point, and switched fabric network topologies
- IPMI Module Management Controller
- SFF connector supports LC-style connectors
- Fibre Channel 3 class of service
- Fiber version supports multimode fiber-optic cable up to 300 meters; single mode fiber-optic cable up to 10 km
- UL Recognized
- Class 1 Laser Product per DHHS 21CFRJ
- RoHS compliant

The Telum™ FC2432 is a 4 Gb/s Fibre Channel (FC) Host Bus Adapter (HBA) in an Advanced Mezzanine Card (AdvancedMC) form factor that provides connectivity to a x4 PCI Express baseboard. The HBA is available with dual fiber interfaces.

These AdvancedMC HBAs together with supporting software tools provide the high sustained throughput and low latency required for demanding real-time and storage applications. Designed to take full advantage of industry standard Fibre Channel features and benefits, GE Intelligent Platforms AdvancedMC HBAs incorporate an onboard programmable protocol engine that minimizes host CPU intervention, provide full Hot Swap support, and have auto-negotiation of link speed (1 Gb/s, 2 Gb/s or 4 Gb/s). Dual independent channels support concurrently operating nodes. Also, full-duplex sustained transfer rates up to 1.6 GB/s are supported.

Intelligent Platform Management System and Hot Swap Compliance

An Intelligent Platform Management Interface (IPMI) subsystem initializes board level parameters, monitors board voltage and temperature conditions, maintains system status, and manages hot swap operation. A microcontroller is used as the IPMI intelligence and connects to the ATCA System Management bus and the local PCI Express Bridge device. The Telum FC2432 is hot swap capable and field replaceable in accordance with AMC.1.

Software

To simplify system integration, the Telum FC2432 employs a Linux® driver that supports both Initiator and Target modes.



Telum FC2432 4 Gb/s Fibre Channel AdvancedMC™ Host Bus Adapter

Specifications

Form Factor

- AMC.0 R2.0
- Mid- or full-size front panels)

Interface Specifications

- AMC.1 subsidiary Rev. 1.0
- PCI Express v1.0a, x4

Fibre Channel Specifications

- 4.2480, 2.1280 & 1.0625 Gb/s data rate
- FC-GS-3 second generation FC generic services
- FC-GS-3 third generation FC generic services
- FC-PH, FC physical and signaling interface
- SCSI-FCP SCSI-3 FC Protocol
- FC-AL-2 FC Arbitrated Loop-2
- FC-PLDA FC Private Loop Direct Attach
- Arbitrated loop, point-to-point, and switched fabric network topologies
- Class 3 FC services

Environmental

- Operating temperature: 0°C to +55°C
- Storage temperature: -40°C to +85°C
- Storage relative humidity: 5 - 95% without condensation

Power Requirements

- 1.5 A @ +12 V
- 100 mA @ +3.3 V

Regulatory Compliance

Emissions

- FCC 47 CFR Part 15 Class A (USA)
- EN 55022:1998, A1:2000, A2:2003 Class A ITE(EU)
- ICES -003 Issue 3 Class A (Canada)
- AS/NZ CISPR 22:2002
- VCCI Class A ITE
- Class A (Aus. New Zealand)
- CE Mark

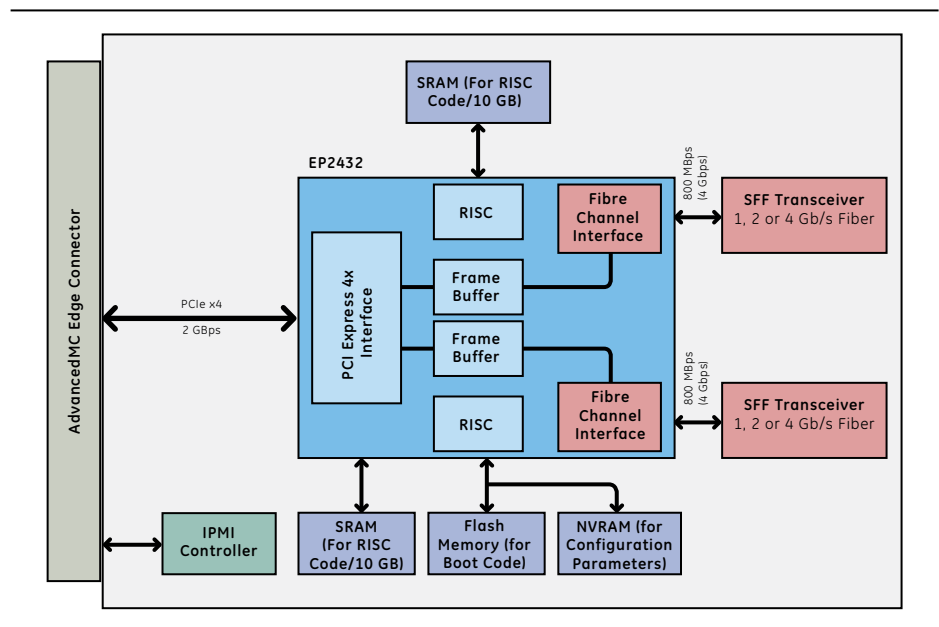
Immunity

- EN 55024:1998/A1:2001/A2:2003 (EU)

Safety

- UL60950-1 (USA)
- CSA 22.1 No. 60950-1-03 (Canada)
- EN 60950-1 (EU)
- CE MARK
- RoHS 2002/95/EC

Block Diagram



Ordering Information

Telum FC2432 4 Gb/s Fibre Channel AdvancedMC HBA with dual fiber interfaces

30024-103 Mid-size front panel; AMC.0 R2.0; RoHS

30024-104 Full-size front panel; AMC.0 R2.0; RoHS

About GE Intelligent Platforms

GE Intelligent Platforms, a General Electric Company (NYSE: GE), is an experienced high-performance technology company and a global provider of hardware, software, services, and expertise in automation and embedded computing. We offer a unique foundation of agile, advanced and ultra-reliable technology that provides customers a sustainable advantage in the industries they serve, including energy, water, consumer packaged goods, government and defense, and telecommunications. GE Intelligent Platforms is a worldwide company headquartered in Charlottesville, VA and is part of GE Home and Business Solutions. For more information, visit www.ge-ip.com.

GE Intelligent Platforms Contact Information

Americas: **1 800 433 2682** or **1 434 978 5100**

Global regional phone numbers are listed by location on our web site at www.ge-ip.com/contact

www.ge-ip.com

